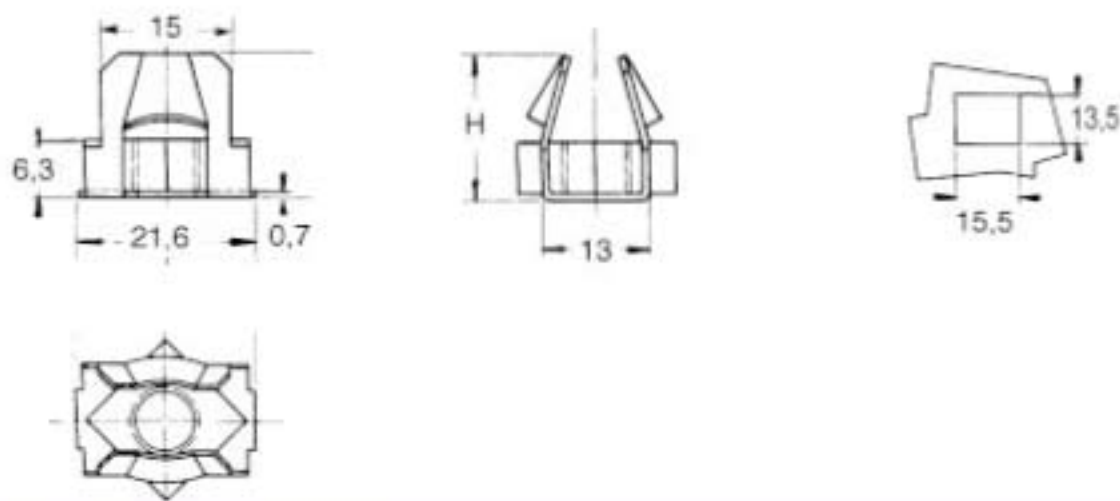


## CLIP-IN NUTS

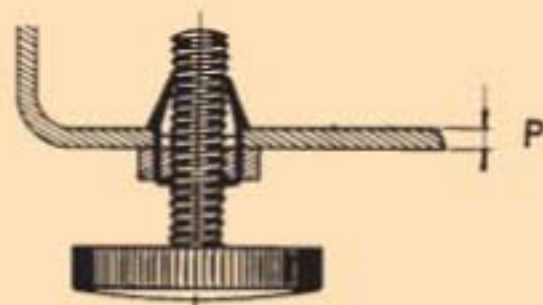
### Caged nuts for adjustable feet

#### Recommended use:

These nuts are designed to fasten adjustable feet in the domestic appliance and metal furniture sectors. They are installed from the front of the substrate after painting or enamelling. They provide a self-locking action on the thread, thereby guaranteeing constant adjustment of the feet.



SCREW SIZE	P = PANEL THICKNESS	REFERENCE	H
M8	1.7 to 2.4	C-48882 ▲	15.6
M10	0.8 to 1.6	C-48901 ZF	15.6
M10	1.7 to 2.4	C-48902 ▲	15.6
M10	2.5 to 3.3	C-48903 ▲	17.4



	CAGE	NUT
<b>MATERIAL</b>	Treated spring steel	Treated steel
<b>SURFACE TREATMENT</b>	See table on cover flap, except for parts with reference '▲': Phosphating	
<b>COLOUR</b>	See table on cover flap, except for parts with reference '▲': Black paint	

#### Recommended assembly method:

1. Position one of the sides of the cage in the hole.
2. Clip the other side into the hole, using a simple tool if necessary.
3. Screw the adjustable foot into the hole.
4. Once in position, the nut is self retained.